

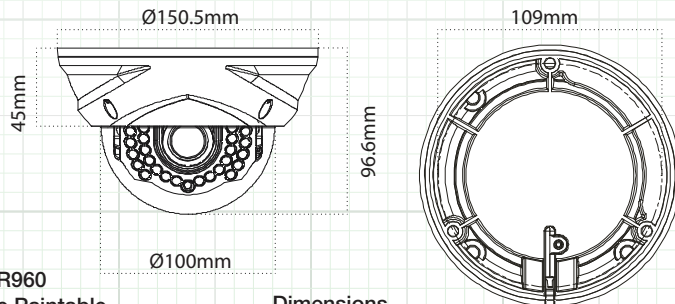
## 960H/700 Line – True Wide Dynamic Range Outdoor IR Dome Camera, TDN, 3DNR, OSD, 2.8~12mm AI Lens, 82' IR



DTW212HIR960



DTW212HIR960  
Shown with White Paintable  
Snap-on Cover (included)



Dimensions

### SPECIFICATION

### DTW212HIR960

Image Sensor	960H 1/3" Effio-V Sony Super HAD II CCD
Effective Picture Elements	976 (H) x 494 (V)
Resolution	700 TV Lines Color / 800 TV Lines B/W
OSD (On-screen Display)	Yes
WDR (Wide Dynamic Range)	Contrast / Clear Face (Low / Mid / High) Adjustable
3DNR (Digital Noise Reduction)	3DNR (0-6) Adjustable
Video Output	1.0 Vp-p (Sync. Negative) Termination 75 OHM
Lens Type – True Day/Night	2.8~12mm Varifocal Auto Iris Lens
Sense-up	Auto / Off
Shutter Speed	1/60 ~ 1/100,000 sec.
IR Cut Filter	Built-In Mechanical
Minimum Illumination	0.0005Lux Sense Up Color/0.0002 Sense Up B/W
IR LED Count / IR Range / nm	24 IR LED's / 82' IR Range / 850nm
S/N Ratio	52dB or More (AGC Off)
Gain Control	Automatic, Low, Middle, High, Off
Sync System	Internal, External (L/L)
Gamma	$\gamma = 0.45$ typ.
White Balance	ATW (1,800°K~10,500°K) / PUSH / USER1 / USER2 / ANTI CR / PUSH / LOCK / MANUAL
Back Light Compensation	OFF / WDR / HLC / BLC
Day / Night	(AUTO / COLOR / B/W / EXT) Delay Adjustable
Mirror	OFF / H / V / H-V
Digital Zoom	Yes (ON / OFF) Adjustable
Digital Image Stabilizer	Yes ((ON / OFF)
IR Optimizer	Yes (ON / OFF)
Motion Detection	Yes (4 Zone)
Privacy Mask	Yes (15 Zone)
Power Input	12VDC/24VAC Dual Voltage Power
Power Requirement	Max. 600mA
Reverse Polarity Protection	Yes
Overall Camera Dimensions	5.9" (W) x 3.8" (H)
Weight	Approx. 2.0lb
Operating Temperature	-20 ~ 122°F
Weatherproof Rating	IP68

### FEATURES

- ◆ Sony 960H Effio-V Chip
- ◆ 700 Line Resolution
- ◆ True Wide Dynamic Range
- ◆ True Day/Night Mechanical IR Cut Filter
- ◆ Tamper Resistant / IP68 Weatherproof
- ◆ 3-Axis Wall or Ceiling Mountable
- ◆ White Paintable Snap-on Cover Included
- ◆ Sense-up 1024X
- ◆ 12VDC/24VAC Dual Voltage Power
- ◆ OSD Control of All Major Functions
- ◆ Digital Noise Reduction
- ◆ Video Test Output & Cable
- ◆ 24 IR LED's / 82' IR Range
- ◆ Adjustable Shutter Speed
- ◆ 2.8~12mm Varifocal Auto Iris Lens
- ◆ Manual 360° Horizontal Rotation

### INCLUDED ACCESSORIES

1. User Manual
1. Mounting Template & Hardware Packet
1. Video Test Cable
1. L-Style Wrench
1. White Paintable Snap-on Cover

### RECOMMENDED ACCESSORIES

**Outdoor Back Boxes**  
DTWBB – Silver  
DTWBBW – White

**Outdoor Wall Mounts**  
DTWWMT – Silver  
DTWWMTW – White



Note: Specification subject to change without notice